

STAAL SERVICE VLAANDEREN



STERK IN STAAL EN SERVICE



STAALPROGRAMMA

INDUSTRIEPARK NOORD II
ZANDVOORTSTRAAT 17
B-2800 MECHELEN
TEL. 0032 15 20 29 60
FAX 0032 15 20 29 30
EMAIL: SALES@STAALSERVICEVLAANDEREN.BE
WWW.STAALSERVICEVLAANDEREN.BE



STAAL SERVICE VLAANDEREN



TEKENT VOOR:

SERVICE KWALITEIT SNELHEID

DOOR:

- gemotiveerd personeel
- moderne infrastructuur
- centrale vestiging
- polyvalente opslagruimten
- ruime en brede voorraad
- eigen transport met kraanwagens

VOORWOORD

Wij hebben een uiterste zorgvuldigheid betracht bij de samenstelling van deze catalogus. Desondanks zijn fouten niet geheel uit te sluiten. Alle cijfers zijn slechts gegeven ter inlichting.

Wij sluiten, mede ten behoeve van al degenen die aan deze uitgave hebben meegewerkt, elke aansprakelijkheid voor een directe of indirecte schade uit, ontstaan door of verband houdende met toepassingen van deze publicatie.

De directie.





1. BALKEN

1.1. Europese I-balken - IPE	4
1.2. Europese normale balken - IPN	5
1.3. Europese breedflensbalken - HEA	6-7
1.4. Europese breedflensbalken - HEB	8-9
1.5. Europese breedflensbalken - HEM	10-11
1.6. UPN - Profielen	12
1.7. UPE - Profielen	12

3. STAAL VOOR GEWAPEND BETON

3.1. Gekarteld betonstaal in staven	20
3.2. Gelaste netten	20-22
3.3. Afstandhouders	23
3.4. Binddraadjes	24
3.5. Draad op rol	24

5. KOUDGEVORMDE PROFIELEN

5.1. Koudgevormde gelijkzijdige hoekprofielen	29
5.2. Koudgevormde ongelijkzijdige hoekprofielen	29
5.3. Koudgevormde gelijkzijdige U-profielen	30
5.4. Koudgevormde ongelijkzijdige U-profielen	31

2. HANDELSSTAAL

2.1. Ronde staven	13
2.2. Vierkante staven	13
2.3. Platte staven	14
2.4. Strips = breed plat	15
2.5. Gelijkzijdige hoekstaven	16
2.6. Ongelijkzijdige hoekstaven	17
2.7. Verzinkte hoekstaven	18
2.8. U-Staven	18
2.9. T-Staven	19

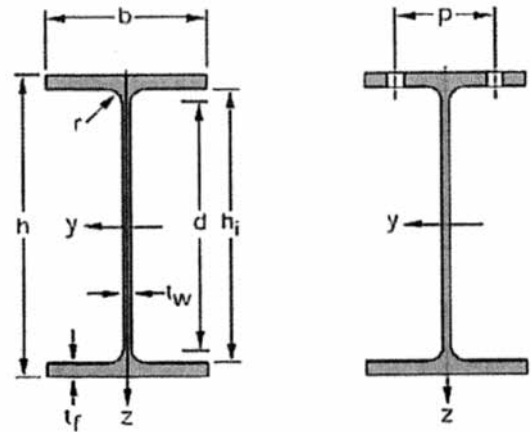
4. PLATEN

4.1. Warmgewalste bandplaten	25
4.2. Quarto platen	26
4.3. Warm gewalste getraande platen	27
4.4. Warm gewalste geruite platen	27
4.5. Koud gewalste platen	28
4.6. Thermisch verzinkte platen	28
4.7. Electrolytisch verzinkte platen	28





Benaming	Handels-gewicht <i>kg/m</i>	Hoogte <i>mm</i>	Breedte <i>mm</i>
IPE 80	6,11	80	46
IPE 100	8,26	100	55
IPE 120	10,57	120	64
IPE 140	13,15	140	73
IPE 160	16,07	160	82
IPE 180	19,16	180	91
IPE 200	22,79	200	100
IPE 220	26,70	220	110
IPE 240	31,29	240	120
IPE 270	36,76	270	135
IPE 300	43,05	300	150
IPE 330	50,08	330	160
IPE 360	58,18	360	170
IPE 400	67,57	400	180
IPE 450	79,06	450	190
IPE 500	92,42	500	200
IPE 550	107,53	550	210
IPE 600	124,79	600	220



Gelijkmatig verdeelde gebruiksbelasting
Balken IPE vrij opgelegd aan de uiteinden
in ton per lengte

Staalsoort = S235

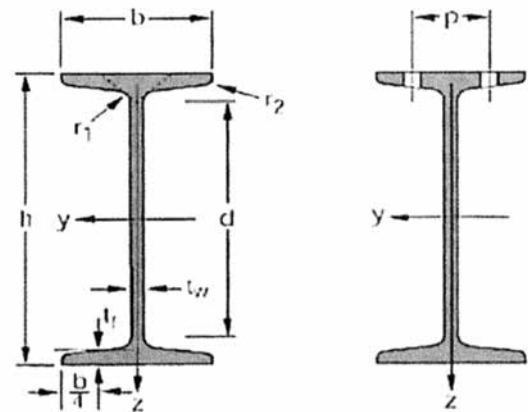
Overspanning in meters

Profielen	2,0	2,5	3,0	3,5	4,0	5,0	6,0	7,0	8,0	9,0	10,0	12,0	14,0	16,0
IPE 80	0,8	0,5	0,3											
IPE 100	1,7	1,0	0,8	0,5	0,4									
IPE 120	3,0	2,0	1,4	1,0	0,7									
IPE 140	5,0	3,5	2,4	1,7	1,3	0,8								
IPE 160	7,0	6,0	4,0	3,0	2,0	1,3	0,9							
IPE 180	10,0	8,0	6,0	4,0	3,0	2,0	1,4	1,0						
IPE 200	13,0	10,0	9,0	6,0	5,0	3,0	2,0	1,5	1,0					
IPE 220	17,0	13,0	11,0	9,0	7,0	4,0	3,0	2,0	1,5	1,0				
IPE 240	21,0	17,0	14,0	12,0	10,0	6,0	4,0	3,0	2,0	1,6	1,3			
IPE 270	28,0	23,0	19,0	16,0	14,0	9,0	6,0	4,0	3,0	2,5	2,0	1,0		
IPE 300	37,0	29,0	24,0	21,0	18,0	13,0	9,0	7,0	5,0	4,0	3,0	2,0		
IPE 330	47,0	37,0	31,0	27,0	23,0	19,0	13,0	9,0	7,0	5,0	4,0	3,0	2,0	
IPE 360	58,0	48,0	40,0	34,0	30,0	24,0	18,0	13,0	10,0	8,0	6,0	4,0	3,0	2,0
IPE 400	70,0	61,0	51,0	44,0	38,0	30,0	25,0	19,0	14,0	11,0	9,0	6,0	4,0	3,0
IPE 450	83,0	80,0	66,0	57,0	50,0	40,0	33,0	27,0	21,0	16,0	13,0	9,0	6,0	4,0
IPE 500	98,0	98,0	86,0	73,0	64,0	51,0	42,0	36,0	30,0	23,0	19,0	12,0	9,0	6,0
IPE 550	114,0	114,0	109,0	93,0	81,0	65,0	54,0	46,0	40,0	32,0	26,0	18,0	12,0	9,0
IPE 600	132,0	132,0	132,0	117,0	103,0	82,0	68,0	58,0	55,0	45,0	36,0	24,0	17,0	12,0





Benaming	Handels- gewicht <i>kg/m</i>	Hoogte <i>mm</i>	Breedte <i>mm</i>
IPN 80	6,06	80	42
IPN 100	8,48	100	50
IPN 120	11,36	120	58
IPN 140	14,56	140	66
IPN 160	18,25	160	74
IPN 180	22,32	180	82
IPN 200	26,72	200	90
IPN 220	31,60	220	98
IPN 240	36,88	240	106
IPN 260	42,65	260	113
IPN 280	48,80	280	119
IPN 300	55,20	300	125
IPN 320	62,16	320	131
IPN 340	69,36	340	137
IPN 360	77,60	360	143
IPN 380	85,60	380	149
IPN 400	94,40	400	155
IPN 450	117,60	450	170
IPN 500	143,20	500	185
IPN 550	169,60	550	200
IPN 600	203,20	600	215

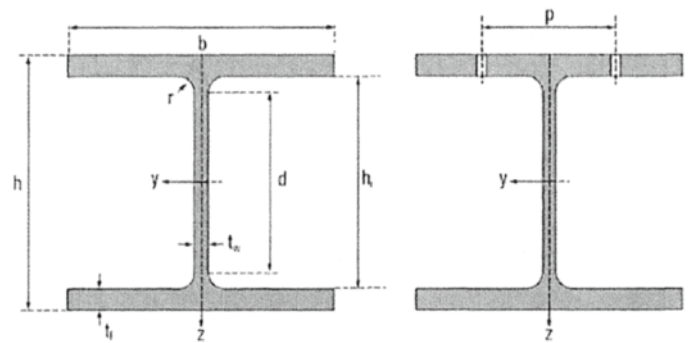


Staalsoort = S235





Benaming	Handels- gewicht <i>kg/m</i>	Hoogte <i>mm</i>	Breedte <i>mm</i>
HE 100 A	16,99	96	100
HE 120 A	20,27	114	120
HE 140 A	25,13	133	140
HE 160 A	31,02	152	160
HE 180 A	36,20	171	180
HE 200 A	43,06	190	200
HE 220 A	51,47	210	220
HE 240 A	61,47	230	240
HE 260 A	69,46	250	260
HE 280 A	77,81	270	280
HE 300 A	90,02	290	300
HE 320 A	99,49	310	300
HE 340 A	106,78	330	300
HE 360 A	114,21	350	300
HE 400 A	127,18	390	300
HE 450 A	142,42	440	300
HE 500 A	158,03	490	300
HE 550 A	169,41	540	300
HE 600 A	181,17	590	300
HE 650 A	193,31	640	300
HE 700 A	208,38	690	300
HE 800 A	228,66	790	300
HE 900 A	256,42	890	300
HE 1000 A	277,48	990	300



Staalsoort = S235





Profielen	Overspanning in meters													
	2,0	2,5	3,0	3,5	4,0	5,0	6,0	7,0	8,0	9,0	10,0	12,0	14,0	16,0
HE 100 A	3,5	2,0	1,5	1,0	0,8	0,5								
HE 120 A	6,0	4,0	3,0	2,0	1,5	1,0								
HE 140 A	10,0	7,0	5,0	3,0	2,5	1,5	1,0	0,7						
HE 160 A	14,0	11,0	7,0	5,0	4,0	3,0	2,0	1,0	0,8					
HE 180 A	18,0	15,0	11,0	8,0	6,0	4,0	3,0	2,0	1,0	0,9				
HE 200 A	24,0	19,0	16,0	12,0	9,0	6,0	4,0	3,0	2,0	1,5	1,0			
HE 220 A	32,0	26,0	21,0	18,0	13,0	8,0	6,0	4,0	3,0	2,0	1,7			
HE 240 A	41,0	34,0	28,0	24,0	19,0	12,0	8,0	6,0	4,0	3,0	2,5	1,5		
HE 260 A	47,0	42,0	35,0	30,0	26,0	17,0	11,0	8,0	6,0	5,0	3,5	2,0		
HE 280 A	52,0	51,0	42,0	36,0	31,0	22,0	15,0	11,0	8,0	6,0	5,0	3,0	1,7	
HE 300 A	61,0	61,0	52,0	45,0	39,0	29,0	20,0	14,0	11,0	8,0	7,0	4,0	2,5	
HE 320 A	67,0	67,0	62,0	53,0	46,0	37,0	25,0	18,0	14,0	11,0	8,0	5,0	3,0	2,0
HE 340 A	71,0	71,0	67,0	57,0	50,0	40,0	30,0	22,0	17,0	13,0	10,0	6,0	4,0	2,0
HE 360 A	77,0	77,0	76,0	65,0	56,0	45,0	36,0	26,0	20,0	15,0	12,0	8,0	5,0	3,0
HE 400 A	90,0	90,0	90,0	79,0	69,0	55,0	46,0	36,0	27,0	21,0	17,0	11,0	8,0	5,0
HE 450 A	103,0	103,0	103,0	100,0	87,0	69,0	58,0	49,0	39,0	30,0	24,0	16,0	11,0	8,0
HE 500 A	117,0	117,0	117,0	117,0	107,0	85,0	71,0	60,0	53,0	42,0	34,0	22,0	16,0	11,0
HE 550 A	131,0	131,0	131,0	131,0	125,0	100,0	83,0	71,0	62,0	54,0	44,0	29,0	21,0	15,0
HE 600 A	146,0	146,0	146,0	146,0	145,0	116,0	96,0	82,0	72,0	63,0	55,0	37,0	27,0	19,0
HE 650 A	162,0	162,0	162,0	162,0	162,0	133,0	110,0	94,0	82,0	72,0	65,0	47,0	34,0	25,0
HE 700 A	184,0	184,0	184,0	184,0	183,0	152,0	127,0	108,0	94,0	83,0	75,0	58,0	41,0	31,0
HE 800 A	218,0	218,0	218,0	218,0	218,0	189,0	157,0	134,0	117,0	103,0	93,0	76,0	59,0	45,0
HE 900 A	257,0	257,0	256,0	256,0	256,0	235,0	195,0	167,0	145,0	129,0	115,0	95,0	81,0	62,0
HE 1000 A	290,0	290,0	290,0	290,0	290,0	279,0	231,0	198,0	173,0	153,0	137,0	113,0	96,0	83,0

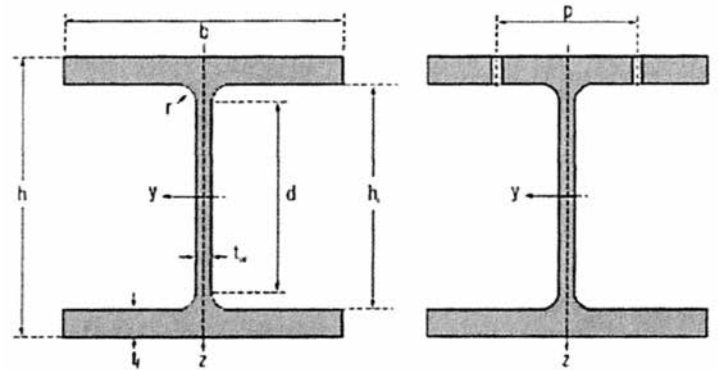
Gelijkmatig verdeelde gebruiksbelasting
Balken HEA vrij opgelegd aan de uiteinden
in ton per lengte

Staalsoort = S235





Benaming	Handels- gewicht <i>kg/m</i>	Hoogte <i>mm</i>	Breedte <i>mm</i>
HE 100 B	20,83	100	100
HE 120 B	27,20	120	120
HE 140 B	34,36	140	140
HE 160 B	43,40	160	160
HE 180 B	52,20	180	180
HE 200 B	62,46	200	200
HE 220 B	72,83	220	220
HE 240 B	84,79	240	240
HE 260 B	94,76	260	260
HE 280 B	105,09	280	280
HE 300 B	119,26	300	300
HE 320 B	129,07	320	300
HE 340 B	136,72	340	300
HE 360 B	144,51	360	300
HE 400 B	158,22	400	300
HE 450 B	174,38	450	300
HE 500 B	190,91	500	300
HE 550 B	203,25	550	300
HE 600 B	215,97	600	300
HE 650 B	229,07	650	300
HE 700 B	245,10	700	300
HE 800 B	267,35	800	300
HE 900 B	297,02	900	300
HE 1000 B	320,05	1000	300



Staalsoort = S235





Profielen	Overspanning in meters													
	2,0	2,5	3,0	3,5	4,0	5,0	6,0	7,0	8,0	9,0	10,0	12,0	14,0	16,0
HE 100 B	5,0	3,0	2,0	1,4	1,0	0,6								
HE 120 B	9,0	6,0	4,0	3,0	2,0	1,3	0,8							
HE 140 B	14,0	10,0	7,0	5,0	4,0	2,0	1,5	1,0	0,9					
HE 160 B	21,0	16,0	11,0	8,0	6,0	4,0	2,5	1,8	1,2	0,9				
HE 180 B	28,0	23,0	17,0	12,0	9,0	6,0	4,0	3,0	2,0	1,5	1,0			
HE 200 B	38,0	30,0	25,0	19,0	14,0	9,0	6,0	4,0	3,0	2,0	1,7			
HE 220 B	46,0	39,0	32,0	26,0	20,0	13,0	9,0	6,0	5,0	4,0	2,5	1,5		
HE 240 B	52,0	49,0	41,0	35,0	28,0	18,0	12,0	9,0	6,0	5,0	4,0	2,0		
HE 260 B	59,0	59,0	50,0	43,0	37,0	24,0	16,0	12,0	9,0	7,0	5,0	3,0	2,0	
HE 280 B	65,0	65,0	60,0	51,0	45,0	31,0	21,0	15,0	11,0	9,0	7,0	4,0	2,5	
HE 300 B	74,0	74,0	73,0	62,0	54,0	40,0	27,0	20,0	15,0	11,0	9,0	6,0	3,5	2,0
HE 320 B	81,0	81,0	81,0	72,0	63,0	49,0	34,0	25,0	18,0	14,0	11,0	7,0	5,0	3,0
HE 340 B	88,0	88,0	88,0	80,0	70,0	56,0	40,0	29,0	22,0	17,0	13,0	9,0	6,0	3,0
HE 360 B	95,0	95,0	95,0	90,0	78,0	62,0	48,0	35,0	26,0	20,0	16,0	10,0	7,0	4,0
HE 400 B	110,0	110,0	110,0	108,0	94,0	75,0	62,0	46,0	35,0	27,0	22,0	14,0	10,0	7,0
HE 450 B	125,0	125,0	125,0	125,0	116,0	93,0	77,0	65,0	49,0	38,0	31,0	20,0	14,0	10,0
HE 500 B	141,0	141,0	141,0	141,0	141,0	112,0	93,0	80,0	66,0	52,0	41,0	28,0	19,0	14,0
HE 550 B	157,0	157,0	157,0	157,0	157,0	130,0	108,0	92,0	80,0	66,0	53,0	36,0	25,0	18,0
HE 600 B	174,0	174,0	174,0	174,0	174,0	150,0	125,0	106,0	93,0	82,0	67,0	45,0	32,0	24,0
HE 650 B	192,0	192,0	191,0	191,0	191,0	171,0	142,0	121,0	106,0	94,0	83,0	56,0	40,0	30,0
HE700 B	215,0	215,0	215,0	215,0	215,0	195,0	161,0	138,0	120,0	107,0	95,0	69,0	49,0	37,0
HE 800 B	254,0	254,0	254,0	254,0	254,0	239,0	199,0	170,0	148,0	131,0	118,0	97,0	70,0	52,0
HE 900 B	297,0	297,0	297,0	296,0	296,0	294,0	245,0	209,0	182,0	162,0	145,0	120,0	98,0	73,0
HE 1000 B	334,0	334,0	334,0	334,0	333,0	333,0	289,0	247,0	216,0	191,0	171,0	142,0	120,0	97,0

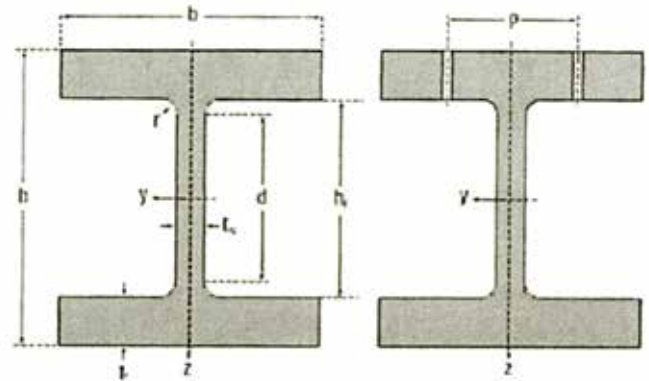
Gelijkmatig verdeelde gebruiksbelasting
Balken HEB vrij opgelegd aan de uiteinden
in ton per lengte

Staalsoort = S235





Benaming	Handels- gewicht <i>kg/m</i>	Hoogte <i>mm</i>	Breedte <i>mm</i>
HE 100 M	42,59	120	106
HE 120 M	53,12	140	126
HE 140 M	64,45	160	146
HE 160 M	77,65	180	166
HE 180 M	90,60	200	186
HE 200 M	105,02	220	206
HE 220 M	119,55	240	226
HE 240 M	159,67	270	248
HE 260 M	175,72	290	268
HE 280 M	192,13	310	288
HE 300 M	242,46	340	310
HE 320 M	249,65	359	309
HE 340 M	252,66	377	309
HE 360 M	255,05	395	308
HE 400 M	260,62	432	307
HE 450 M	268,35	478	307
HE 500 M	275,45	524	306
HE 550 M	283,50	572	306
HE 600 M	290,93	620	305
HE 650 M	298,99	668	305
HE 700 M	306,41	716	304
HE 800 M	323,41	814	303
HE 900 M	338,90	910	302
HE 1000 M	355,36	1008	302



Staalsoort = S235





Overspanning in meters														
Profielen	2,0	2,5	3,0	3,5	4,0	5,0	6,0	7,0	8,0	9,0	10,0	12,0	14,0	16,0
HE 100 M	11,0	7,0	5,0	4,0	3,0	1,7	1,0							
HE 120 M	20,0	13,0	9,0	6,0	5,0	3,0	2,0	1,3	0,9					
HE 140 M	29,0	21,0	15,0	11,0	8,0	5,0	3,0	2,0	1,6	1,0				
HE 160 M	39,0	32,0	23,0	17,0	13,0	8,0	5,0	4,0	3,0	2,0	1,3			
HE 180 M	52,0	41,0	33,0	24,0	19,0	12,0	8,0	6,0	4,0	3,0	2,0			
HE 200 M	64,0	53,0	44,0	35,0	26,0	17,0	11,0	8,0	6,0	4,0	3,0	2,0		
HE 220 M	71,0	66,0	55,0	47,0	36,0	23,0	16,0	11,0	8,0	6,0	5,0	3,0	1,0	
HE 240 M	94,0	94,0	82,0	71,0	61,0	38,0	26,0	19,0	14,0	11,0	8,0	5,0	3,0	
HE 260 M	105,0	105,0	98,0	84,0	73,0	50,0	34,0	25,0	18,0	14,0	11,0	7,0	4,0	2,0
HE 280 M	113,0	113,0	113,0	99,0	86,0	63,0	43,0	31,0	23,0	18,0	14,0	9,0	5,0	3,0
HE 300 M	142,0	142,0	142,0	136,0	119,0	94,0	65,0	47,0	35,0	27,0	22,0	14,0	9,0	5,0
HE 320 M	149,0	149,0	149,0	148,0	129,0	103,0	75,0	54,0	41,0	32,0	25,0	16,0	11,0	7,0
HE 340 M	155,0	155,0	155,0	154,0	138,0	110,0	84,0	61,0	46,0	36,0	28,0	18,0	12,0	8,0
HE 360 M	161,0	161,0	161,0	160,0	145,0	116,0	94,0	68,0	51,0	40,0	32,0	21,0	14,0	9,0
HE 400 M	173,0	173,0	173,0	173,0	163,0	130,0	108,0	84,0	64,0	50,0	39,0	26,0	18,0	12,0
HE 450 M	188,0	188,0	188,0	188,0	185,0	147,0	122,0	104,0	81,0	63,0	50,0	34,0	23,0	16,0
HE 500 M	203,0	203,0	203,0	203,0	203,0	165,0	137,0	117,0	100,0	78,0	63,0	42,0	30,0	21,0
HE 550 M	219,0	219,0	219,0	219,0	219,0	185,0	154,0	131,0	114,0	96,0	77,0	52,0	37,0	27,0
HE 600 M	235,0	235,0	235,0	235,0	235,0	205,0	170,0	145,0	127,0	112,0	93,0	63,0	45,0	33,0
HE 650 M	251,0	251,0	251,0	250,0	250,0	225,0	187,0	160,0	140,0	123,0	111,0	75,0	54,0	40,0
HE 700 M	267,0	267,0	267,0	266,0	266,0	246,0	205,0	175,0	152,0	135,0	121,0	89,0	64,0	47,0
HE 800 M	305,0	305,0	305,0	305,0	305,0	292,0	243,0	207,0	181,0	160,0	144,0	118,0	87,0	65,0
HE 900 M	337,0	337,0	337,0	336,0	336,0	336,0	291,0	240,0	209,0	185,0	166,0	137,0	113,0	74,0
HE 1000 M	369,0	369,0	369,0	369,0	369,0	368,0	322,0	276,0	241,0	213,0	191,0	158,0	134,0	95,0

Gelijkmatig verdeelde gebruiksbelasting
Balken HEM vrij opgelegd aan de uiteinden
in ton per lengte

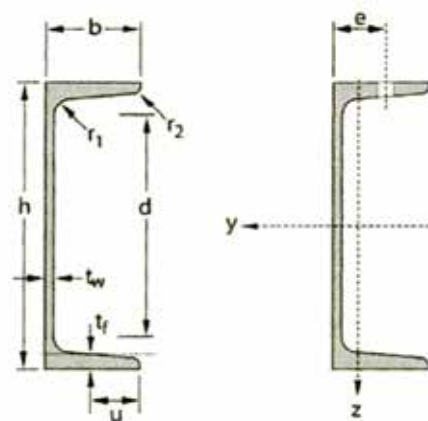
Staalsoort = S235





1.6 UPN PROFIELEN

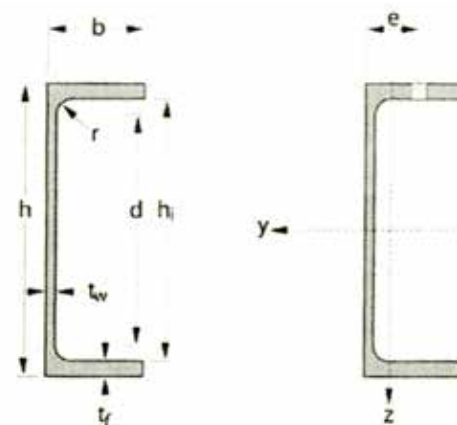
Benaming	Handels- gewicht <i>kg/m</i>	Hoogte <i>mm</i>	Breedte <i>mm</i>
UPN 80	8,80	80	45
UPN 100	10,80	100	50
UPN 120	13,60	120	55
UPN 140	16,32	140	60
UPN 160	19,20	160	65
UPN 180	22,40	180	70
UPN 200	25,76	200	75
UPN 220	29,92	220	80
UPN 240	33,85	240	85
UPN 260	38,65	260	90
UPN 280	42,65	280	95
UPN 300	47,05	300	100
UPN 320	60,65	320	100
UPN 350	61,85	350	100
UPN 380	64,32	380	102
UPN 400	73,20	400	110



Staalsoort = S235

1.7 UPE PROFIELEN

Benaming	Handels- gewicht <i>kg/m</i>	Hoogte <i>mm</i>	Breedte <i>mm</i>
UPE 80	8,08	80	50
UPE 100	10,0	100	55
UPE 120	12,32	120	60
UPE 140	14,72	140	65
UPE 160	17,36	160	70
UPE 180	20,08	180	75
UPE 200	23,20	200	80
UPE 220	27,12	220	85
UPE 240	30,80	240	90
UPE 270	35,85	270	95
UPE 300	45,28	300	100
UPE 330	54,25	330	105
UPE 360	62,32	360	110
UPE 400	73,52	400	115

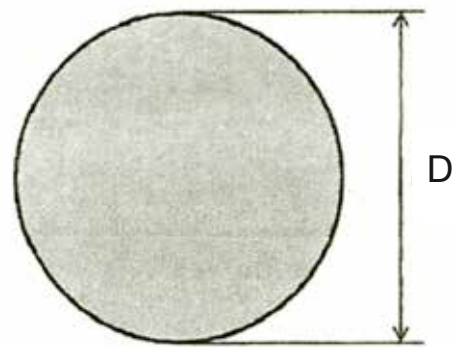


Staalsoort = S235



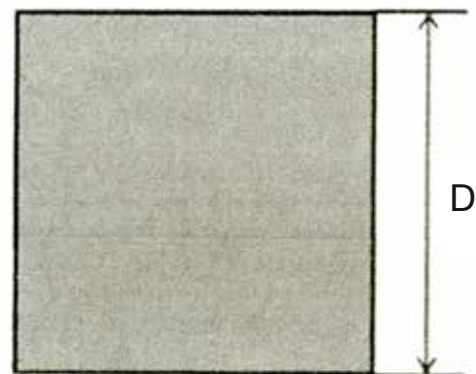


Benaming <i>D=mm</i>	Handels- gewicht <i>kg/m</i>	Benaming <i>D=mm</i>	Handels- gewicht <i>kg/m</i>
6	0,23	30	5,65
8	0,40	35	7,70
10	0,63	40	10,05
12	0,90	45	12,72
14	1,23	50	15,71
15	1,41	60	22,62
16	1,61	70	30,79
18	2,04	80	40,21
20	2,51	90	50,89
22	3,04	100	62,83
24	3,62		
25	3,93		



Staalsoort = S235

Benaming <i>D=mm</i>	Handels- gewicht <i>kg/m</i>	Benaming <i>D=mm</i>	Handels- gewicht <i>kg/m</i>
6	0,29	30	7,20
8	0,51	35	9,80
10	0,80	40	12,80
12	1,15	45	16,20
14	1,57	50	20,00
15	1,80	60	28,80
16	2,05	70	39,20
18	2,59	80	51,20
20	3,20	90	64,80
22	3,87	100	80,00
25	5,00		



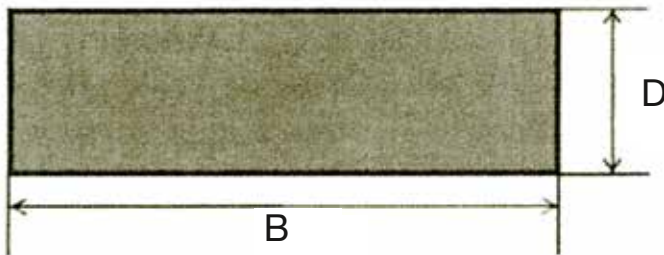
Staalsoort = S235





2.3 PLATTE STAVEN

		Dikte in mm														
		Handelsgewicht in kg/m														
Breedte=mm		3	4	5	6	8	10	12	15	20	25	30	40	50	60	70
10		0,24	0,32	0,40												
15		0,36	0,48	0,60	0,72	0,96	1,20									
20		0,48	0,64	0,80	0,96	1,28	1,60	1,92	2,40							
25		0,60	0,80	1,00	1,20	1,60	2,00	2,40	3,00							
30		0,72	0,96	1,20	1,44	1,92	2,40	2,88	3,60	4,80						
35		0,84	1,12	1,40	1,68	2,24	2,80	3,36	4,20	5,60						
40		0,96	1,28	1,60	1,92	2,56	3,20	3,84	4,80	6,40	8,00	9,60				
45		1,08	1,44	1,80	2,16	2,88	3,60	4,32	5,40	7,20						
50		1,20	1,60	2,00	2,40	3,20	4,00	4,80	6,00	8,00	10,00	12,00	16,00			
60		1,44	1,92	2,40	2,88	3,84	4,80	5,76	7,20	9,60	12,00	14,40	19,20			
70		1,68	2,24	2,80	3,36	4,48	5,60	6,72	8,40	11,20	14,00	16,80	22,40	28,00		
80		1,92	2,56	3,20	3,84	5,12	6,4	7,68	9,60	12,80	16,00	19,20	25,60	32,00		
90				3,60	4,32	5,76	7,20	8,64	10,80	14,40	18,00	21,60	28,80	36,00		
100		2,40	3,20	4,00	4,80	6,40	8,00	9,60	12,00	16,00	20,00	24,00	32,00	40,00	48,00	
110					5,28	7,04	8,80	10,56	13,20	17,60	22,00					
120		2,88	3,84	4,80	5,76	7,68	9,60	11,52	14,40	19,20	24,00	28,80	38,40	48,00	57,60	
130				5,20	6,24	8,32	10,40	12,48	15,60	20,80	26,00	31,20	41,60	52,00		
140				5,60	6,72	8,96	11,20	13,44	16,80	22,40	28,00	33,60	44,80	56,00		
150				6,00	7,20	9,60	12,00	14,40	18,00	24,00	30,00	36,00	48,00	60,00	72,00	

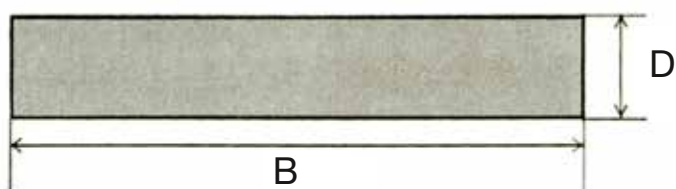
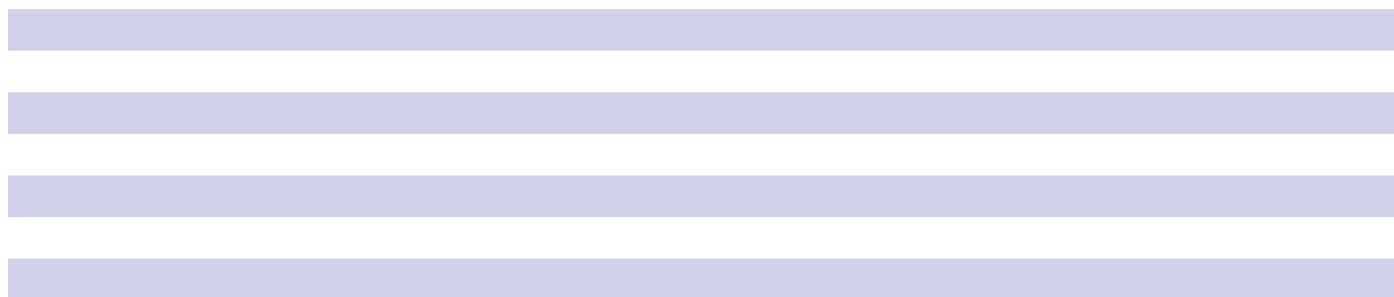


Staalsoort = S235





Dikte in mm												
Handelsgewicht in kg/m												
Breedte=mm	5	6	8	10	12	15	20	25	30	35	40	50
160	6,40	7,68	10,24	12,80	15,36	19,20	25,60	32,00	38,40			
180	7,20	8,64	11,52	14,40	17,28	21,60	28,80	36,00	43,20			
200	8,00	9,60	12,80	16,00	19,20	24,00	32,00	40,00	48,00	64,00	80,00	
220			14,08	17,60	21,12	26,40	35,20	44,00	52,80			
250		12,00	16,00	20,00	24,00	30,00	40,00	50,00	60,00	80,00		
300		14,40	19,20	24,00	28,80	36,00	48,00	60,00	72,00	96,00	120,00	
350			22,40	28,00	33,60	42,00	56,00	70,00	84,00			
400			25,60	32,00	38,40	48,00	64,00	80,00	96,00	128,00	160,00	
450												
500			32,00	40,00	48,00	60,00	80,00	100,00	120,00	160,00	200,00	



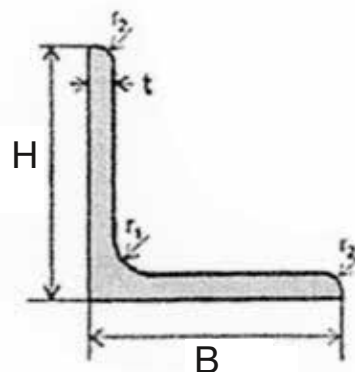
Staalsoort = S235





2.5 GELIJKZIJDIGE HOEKSTAVEN

Benaming <i>H x B x D = mm</i>	Handels- gewicht <i>kg/m</i>	Hoogte	Breedte	Dikte
15 x 15 x 3	0,714	15	15	3
20 x 20 x 3	0,90	20	20	3
25 x 25 x 3	1,14	25	25	3
25 x 25 x 4	1,48	25	25	4
30 x 30 x 3	1,39	30	30	3
30 x 30 x 4	1,81	30	30	4
30 x 30 x 5	2,22	30	30	5
35 x 35 x 4	2,13	35	35	4
40 x 40 x 3	1,88	40	40	3
40 x 40 x 4	2,46	40	40	4
40 x 40 x 5	3,03	40	40	5
45 x 45 x 5	3,44	45	45	5
50 x 50 x 4	3,11	50	50	4
50 x 50 x 5	3,84	50	50	5
50 x 50 x 6	4,55	50	50	6
50 x 50 x 8	5,93	50	50	8
L 55 x 55 x 6	5,05	55	55	6
L 60 x 60 x 6	5,53	60	60	6
L 60 x 60 x 8	7,22	60	60	8
L 60 x 60 x 10	8,85	60	60	10
L 65 x 65 x 7	6,96	65	65	7
70 x 70 x 7	7,52	70	70	7
70 x 70 x 9	9,50	70	70	9
75 x 75 x 8	9,17	75	75	8
80 x 80 x 6	7,48	80	80	6
80 x 80 x 8	9,81	80	80	8
80 x 80 x 10	12,09	80	80	10
90 x 90 x 9	12,42	90	90	9
100 x 100 x 6	9,48	100	100	6
100 x 100 x 8	12,41	100	100	8
100 x 100 x 10	15,32	100	100	10
100 x 100 x 12	18,17	100	100	12
110 x 110 x 10	16,92	110	110	10
120 x 120 x 8	14,99	120	120	8
120 x 120 x 10	18,55	120	120	10
120 x 120 x 12	22,03	120	120	12
130 x 130 x 12	23,96	130	130	12
150 x 150 x 10	23,42	150	150	10
150 x 150 x 12	27,87	150	150	12
150 x 150 x 15	34,42	150	150	15
180 x 180 x 18	49,53	180	180	18
200 x 200 x 16	49,43	200	200	16
200 x 200 x 20	61,08	200	200	20

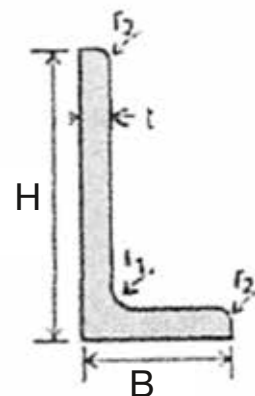


Staalsoort = S235





Benaming <i>H x B x D =mm</i>	Handels- gewicht <i>kg/m</i>	Hoogte	Breedte	Dikte
30 x 20 x 3	1,14	30	20	3
40 x 20 x 3	1,38	40	20	3
40 x 20 x 4	1,80	40	20	4
40 x 25 x 4	1,97	40	25	4
45 x 30 x 4	2,30	45	30	4
45 x 30 x 5	2,82	45	30	5
50 x 30 x 5	3,02	50	30	5
50 x 40 x 5	3,42	50	40	5
60 x 30 x 5	3,43	60	30	5
60 x 40 x 5	3,83	60	40	5
70 x 50 x 6	5,51	70	50	6
75 x 50 x 6	5,75	75	50	6
75 x 50 x 7	5,64	75	50	7
75 x 50 x 8	7,52	75	50	8
80 x 40 x 6	5,52	80	40	6
80 x 40 x 8	7,22	80	40	8
80 x 60 x 7	7,51	80	60	7
100 x 50 x 6	6,99	100	50	6
100 x 50 x 8	9,17	100	50	8
100 x 65 x 7	8,94	100	65	7
100 x 65 x 9	11,33	100	65	9
100 x 75 x 9	12,05	100	75	9
120 x 80 x 8	12,40	120	80	8
120 x 80 x 10	15,32	120	80	10
130 x 65 x 8	12,08	130	65	8
150 x 75 x 9	15,65	150	75	9
150 x 90 x 10	18,54	150	90	10
150 x 100 x 10	19,36	150	100	10
150 x 100 x 12	23,01	150	100	12
160 x 80 x 10	18,56	160	80	10
180 x 90 x 10	20,99	180	90	10
200 x 100 x 10	23,42	200	100	10
200 x 100 x 12	27,87	200	100	12



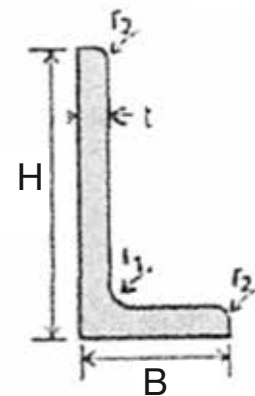
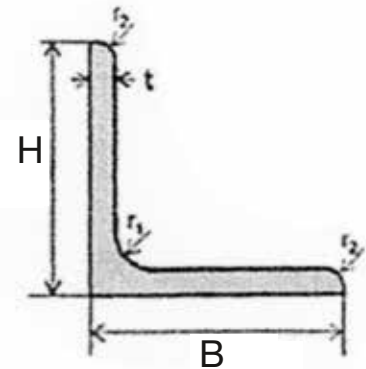
Staalsoort = S235





2.7 VERZINKTE GELIJKZIJDIGE EN ONGELIJKZIJDIGE HOEKSTAVEN

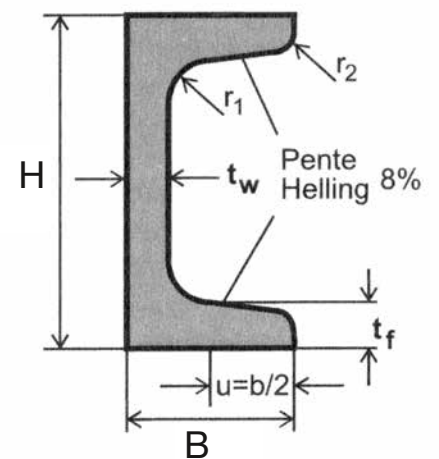
Benaming <i>H x B x D =mm</i>	Handels- gewicht <i>kg/m</i>	Hoogte	Breedte	Dikte
LGA 30 x 30 x 3	1,73	30	30	3
LGA 40 x 40 x 4	3,05	40	40	4
LGA 50 x 50 x 5	4,52	50	50	5
LGA 60 x 60 x 6	6,51	60	60	6
LGA 70 x 70 x 7	8,72	70	70	7
LGA 80 x 80 x 8	10,50	80	80	8
LGA 90 x 90 x 9	14,90	90	90	9
LGA 100 x 100 x 10	16,85	100	100	10
LONG A 120 x 80 x 8	13,64	120	80	8



Staalsoort = S235

2.8 U - STAVEN

Benaming <i>H x B x D =mm</i>	Handels- gewicht <i>kg/m</i>	Hoogte	Breedte	Dikte
30 x 15 x 4	1,77	30	15	4,0
40 x 20 x 5	2,93	40	20	5,0
40 x 35 x 5	4,97	40	35	5,0
50 x 25 x 5	3,94	50	25	5,0
50 x 38 x 5	5,70	50	38	5,0
60 x 30 x 6	5,17	60	30	6,0
65 x 42 x 5,5	7,22	65	42	5,5
70 x 40 x 6	6,90	70	40	6,0

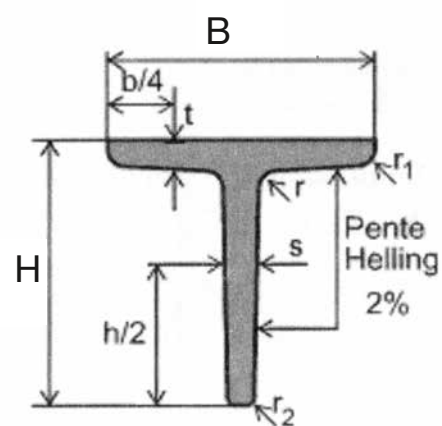


Staalsoort = S235





Benaming <i>H+ B + D =mm</i>	Handels- gewicht <i>kg/m</i>	Hoogte	Breedte	Dikte
20 x 20 x 3	0,90	20	20	3,0
25 x 25 x 3,5	1,31	25	25	3,5
30 x 30 x 4	1,80	30	30	4,0
35 x 35 x 4,5	2,38	35	35	4,5
40 x 40 x 5	3,02	40	40	5,0
45 x 45 x 5,5	3,74	45	45	5,5
50 x 50 x 6	4,53	50	50	6,0
60 x 60 x 7	6,35	60	60	7,0
70 x 70 x 8	8,48	70	70	8,0
80 x 80 x 9	10,88	80	80	9,0
100 x 100 x 11	16,72	100	100	11,0
120 x 120 x 13	23,68	120	120	13,0
140 x 140 x 15	31,92	140	140	15



Staalsoort = S235





3.1 STAAL VOOR GEWAPEND BETON

Nominale Diameter <i>mm</i>	Handelsgewicht <i>kg/m</i>
6	0,23
8	0,40
10	0,63
12	0,90
14	1,23
16	1,61
20	2,51
25	3,93
28	4,93
32	6,43
40	10,05

Gekarteld betonstaal in staven

Staalsoort = BE 500 S



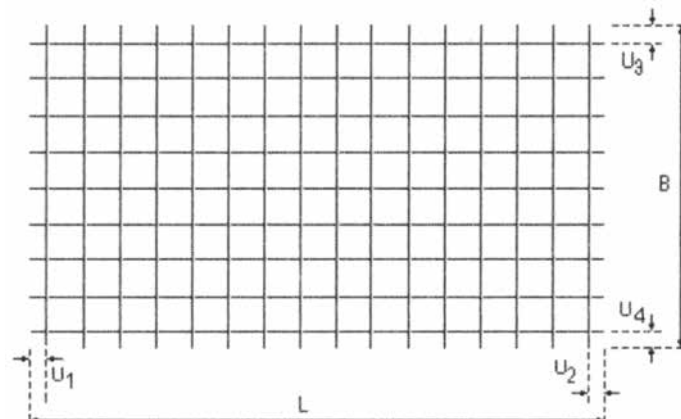
3.2 STAAL VOOR GEWAPEND BETON

NETTEN = 3m x 2m

Mazen <i>mm</i>	Nominale diameter draden <i>mm</i>	Handelsgewicht <i>kg/stuk</i>
100 x 100	5x5	18,84
100 x 100	6x6	27,12
100 x 100	8x8	48,24
150 x 150	5x5	12,87
150 x 150	6x6	18,53
150 x 150	8x8	32,96
150 x 150	10x10	50,60

Gelaste netten geribd

Staalsoort = DE 500 BS



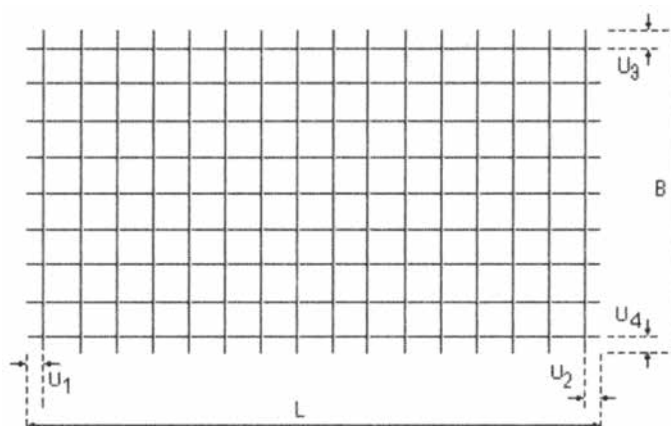


NETTEN = 5m x 2m

Mazen <i>mm</i>	Nominale diameter draden <i>mm</i>	Handels-gewicht <i>kg/stuk</i>
75x75	5x5	42,22
100 x 100	4x4	20,08
100 x 100	5x5	31,39
100 x 100	6x6	45,25
100 x 100	8x8	80,51
100 x 100	10x10	125,76
100 x 100	12x12	180,99
150 x 150	4x4	13,22
150 x 150	5x5	20,56
150 x 150	6x6	29,64
150 x 150	8x8	52,74
150 x 150	10x10	82,37
150 x 150	12x12	118,55
200 x 200	8x8	40,15
200 x 200	10x10	62,88
200 x 200	12x12	90,50

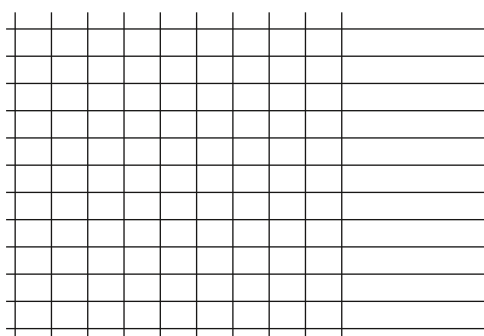
Gelaste netten geribd

Staalsoort = DE 500 BS



NETTEN = 5,95m x 2,35m met stekeinden

Mazen <i>mm</i>	Nominale diameter draden <i>mm</i>	Handels-gewicht <i>kg/stuk</i>
150 x 150	6x6	39,01
150 x 150	8x8	66,05
150 x 150	10x10	103,34
150 x 150	12x12	141,18



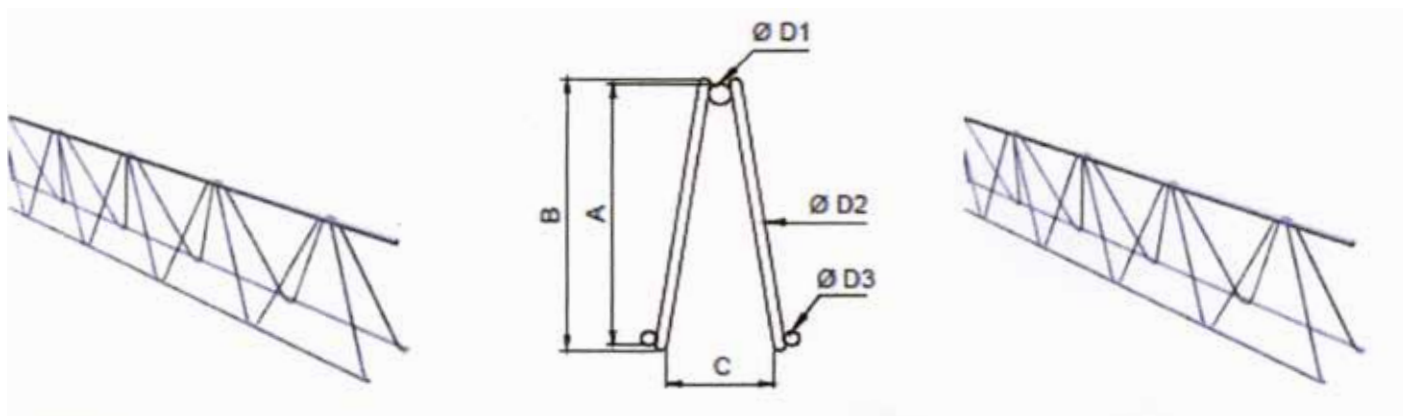
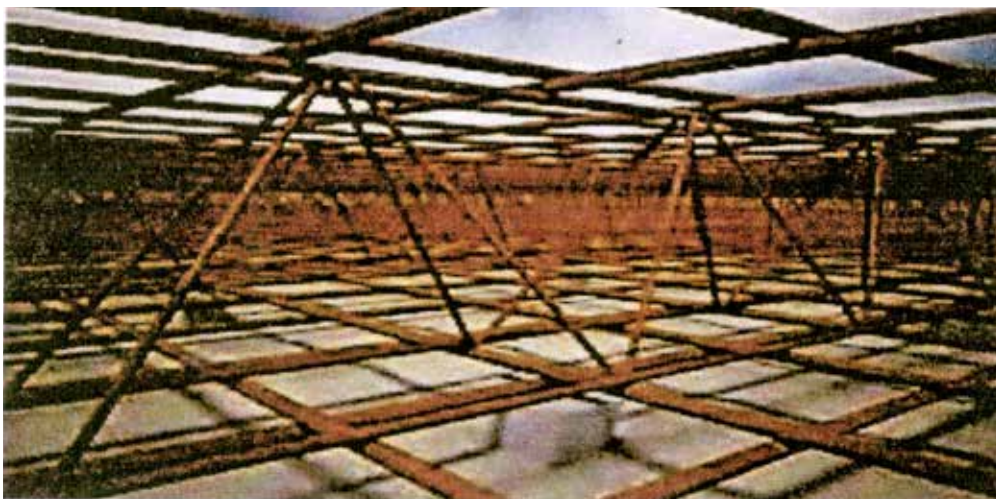


3.2 GELASTE STAALNETTEN





Hoogte <i>mm</i>	Doorsnede <i>mm</i>			Gewicht <i>kg/m</i>	Breedte <i>mm</i>	Verpakking <i>stuks/pak</i>	
50	4,7	3,3	3,3	0,428	75	25	250
60	4,7	3,3	3,3	0,435	75	25	250
70	4,7	3,3	3,3	0,443	75	25	250
80	4,7	3,3	3,3	0,452	80	25	250
90	4,7	3,3	3,3	0,461	80	25	250
100	4,7	3,3	3,3	0,471	80	25	250
110	4,7	3,3	3,3	0,482	85	25	250
120	4,7	3,3	3,3	0,492	85	25	250
130	4,7	3,3	3,3	0,503	85	25	250
150	4,7	3,3	3,3	0,526	90	25	250
180	4,7	3,3	3,3	0,561	90	25	250
200	4,7	3,3	3,3	0,585	90	25	250



A	B	D1	D2	D3	C	
50 - 400	A + 8 MAX	4,7 - 6	3,3 - 5	3,3 - 5	75 - 130	mm





3.5 DRAAD OP ROL GEGLOEID OF VERZINKT



BINDDRAADTREKKER





Dikte	Handelsgewicht in kg per plaat						
	mm	1000x1000	2000x1000	2500x1250	3000x1500	6000x1500	6000x2000
2	16	32	50	72			
3	24	48	75	108	216	288	
4	32	64	100	144	288	384	
5	40	80	125	180	360	480	
6	48	96	150	216	432	576	
8	64	128	200	288	576	768	
10	80	160	250	360	720	960	
12	96	192	300	432	864	1152	
15	120	240	375	540	1080	1440	
20	160	320	500	720	1440	1920	

Staalsoort = S235 JR - AR





4.2 QUARTO PLATEN

Dikte	Handelsgewicht in kg per plaat						
	1000x1000	2000x1000	2500x1250	3000x1500	6000x1500	6000x2000	6000x2500
20	160	320	500	720	1440	1920	2400
25	200	400	625	900	1800	2400	3000
30	240	480	750	1080	2160	2880	3600
35	280	560	875	1260	2520	3360	4200
40	320	640	1000	1440	2880	3840	4800
45	360	720	1125	1620	3240	4320	5400
50	400	800	1250	1800	3600	4800	6000
60	480	960	1500	2160	4320	5760	7200
70	560	1120	1750	2520	5040	6720	8400
80	640	1280	2000	2880	5760	7680	9600
90	720	1440	2250	3240	6480	8640	10.800
100	800	1600	2500	3600	7200	9600	12.000
110	880	1760	2750	3960	7920	10.560	13.200
120	960	1920	3000	4320	8640	11.520	14.400
130	1040	2080	3250	4680	9360	12.480	15.600
140	1120	2240	3500	5040	10.080	13.440	16.800
150	1200	2400	3750	5400	10.800	14.400	18.000
160	1280	2560	4000	5760	11.520	15.360	19.200
180	1440	2880	4500	6480	12.960	17.280	
200	1600	3200	5000	7200	14.400	19.200	

Staalsoort = S235 JR - AR





Dikte	Handelsgewicht in kg per plaat						
	mm	1000x1000	2000x1000	2500x1250	3000x1500	6000x1500	6000x2000
3/5	28	56	88	126	252		
4/6	36	72	113	162	324		
5/7	44	88	138	198	396	528	
6/8	52	104	163	234	468	624	
8/10	68	136	213	306	612	816	
10/12	84	168	263	378	756	1008	

Staalsoort = S235 JR - AR



Dikte	Handelsgewicht in kg per plaat				
	mm	1000x1000	2000x1000	2500x1250	3000x1500
3/5	30	60	94	135	
5/7	46	92	144	207	

Staalsoort = S235 JR - AR





4.5 KOUD GEWALSTE PLATEN

Dikte	Handelsgewicht in kg per plaat			
	1000x1000	2000x1000	2500x1250	3000x1500
0,50	4	8	13	
0,80	7	13	20	29
1,00	8	16	25	36
1,25	10	20	31	45
1,50	12	24	38	54
2,00	16	32	50	72
2,50	20	40	63	90
2,99	24	48	75	108

Kwaliteit = DC01



4.6 THERMISCH VERZINKTE PLATEN

Dikte	Handelsgewicht in kg per plaat			
	1000x1000	2000x1000	2500x1250	3000x1500
0,50	4	8	13	
0,80	7	13	20	29
1,00	8	16	25	36
1,25	10	20	31	45
1,50	12	24	38	54
2,00	16	32	50	72
2,50	20	40	63	90
3,00	24	48	75	108
4,00	32	64	100	144

Kwaliteit = DX51D + Z275



4.7 ELECTROLYTISCH VERZINKTE PLATEN

Dikte	Handelsgewicht in kg per plaat			
	1000x1000	2000x1000	2500x1250	3000x1500
0,50	4	8	13	
0,80	7	13	20	29
1,00	8	16	25	36
1,25	10	20	31	45
1,50	12	24	38	54
2,00	16	32	50	72
2,50	20	40	63	90
2,99	24	48	75	108

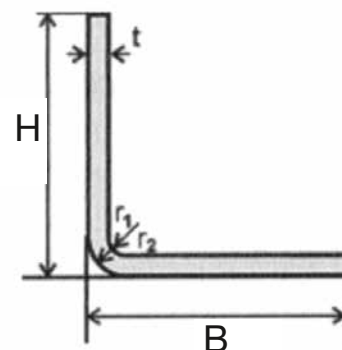
Kwaliteit = DC01+ ZE25/25



5.1 KOUDGEVORMDE GELIJKZIJDIGE HOEKPROFIELEN



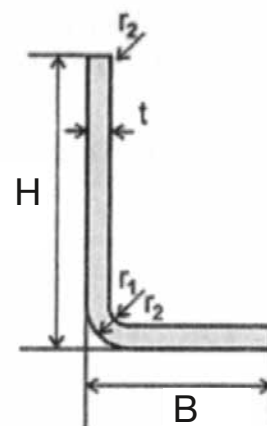
Benaming <i>H x B x D</i>	Handels- gewicht <i>kg/m</i>	Hoogte <i>mm</i>	Breedte <i>mm</i>	Dikte <i>mm</i>
20 x 20 x 2	0,59	20	20	2
25 x 25 x 2	0,75	25	25	2
30 x 30 x 2	0,91	30	30	2
30 x 30 x 3	1,32	30	30	3
35 x 35 x 3	1,56	35	35	3
40 x 40 x 2	1,23	40	40	2
40 x 40 x 3	1,80	40	40	3
50 x 50 x 3	2,28	50	50	3
60 x 60 x 3	2,76	60	60	3
80 x 80 x 4	4,90	80	80	4
100 x 100 x 4	6,03	100	100	4
100 x 100 x 5	7,67	100	100	5



Staalsoort = S235

5.2 KOUDGEVORMDE ONGELIJKZIJDIGE HOEKPROFIELEN

Benaming <i>H x B x D</i>	Handels- gewicht <i>kg/m</i>	Hoogte <i>mm</i>	Breedte <i>mm</i>	Dikte <i>mm</i>
40 x 20 x 2	0,91	40	20	3
50 x 30 x 3	1,80	50	30	3
60 x 30 x 3	2,04	60	30	3
60 x 40 x 3	2,28	60	40	3
100 x 50 x 3	3,48	100	50	3
100 x 50 x 4	4,59	100	50	4

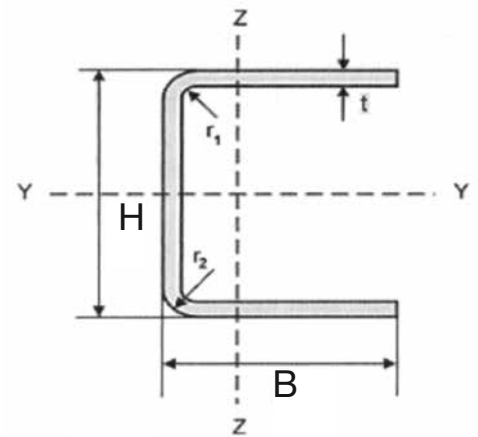


Staalsoort = S235





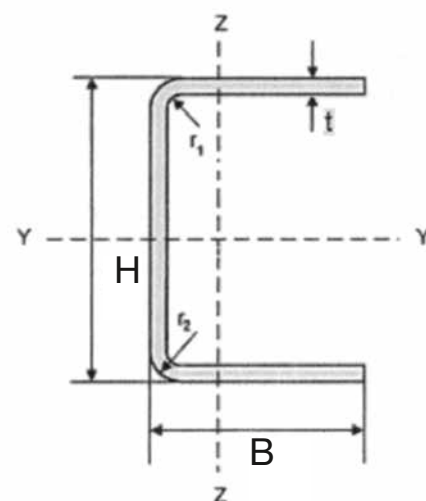
Benaming <i>H x B x D</i>	Handels- gewicht <i>kg/m</i>	Hoogte <i>mm</i>	Breedte <i>mm</i>	Dikte <i>mm</i>
15 x 15 x 2	0,62	15	15	2
20 x 20 x 2	0,85	20	20	2
22 x 22 x 2	0,95	22	22	2
25 x 25 x 2	1,10	25	25	2
25 x 25 x 3	1,59	25	25	3
30 x 30 x 2	1,33	30	30	2
30 x 30 x 3	1,92	30	30	3
35 x 35 x 2	1,57	35	35	2
40 x 40 x 2	1,81	40	40	2
40 x 40 x 3	2,64	40	40	3
40 x 40 x 4	3,42	40	40	4
50 x 50 x 3	3,36	50	50	3
50 x 50 x 4	4,38	50	50	4
50 x 50 x 5	5,34	50	50	5
60 x 60 x 3	4,16	60	60	3
60 x 60 x 4	5,34	60	60	4
80 x 80 x 3	5,76	80	80	3
80 x 80 x 4	7,26	80	80	4



Staalsoort = S235



Benaming <i>H x B x D</i>	Handels- gewicht <i>kg/m</i>	Hoogte <i>mm</i>	Breedte <i>mm</i>	Dikte <i>mm</i>
40x20x2	1,17	40	20	2
40x20x3	1,68	40	20	3
40x30x2	1,49	40	30	2
40x30x3	2,16	40	30	3
50x25x3	2,16	50	25	3
50x30x2	1,65	50	30	2
50x30x3	2,40	50	30	3
50x40x3	2,88	50	40	3
60x30x3	2,64	60	30	3
60x40x3	3,10	60	40	3
60x40x4	4,11	60	40	4
70x40x3	3,36	70	40	3
70x40x4	4,38	70	40	4
70x50x4	5,02	70	50	4
80x40x3	3,60	80	40	3
80x40x4	4,70	80	40	4
80x50x3	4,08	80	50	3
80x50x4	5,34	80	50	4
100x40x3	4,08	100	40	3
100x50x3	4,56	100	50	3
100x50x4	5,96	100	50	4
100x50x5	7,34	100	50	5
100x60x4	6,62	100	60	4
100x60x5	8,14	100	60	5
120x50x3	5,14	120	50	3
120x50x4	6,62	120	50	4
120x50x5	8,14	120	50	5
120x60x3	5,45	120	60	3
120x60x4	7,26	120	60	4
120x60x5	8,94	120	60	5
140x50x4	7,26	140	50	4
140x60x4	7,90	140	60	4
140x60x5	9,74	140	60	5
150x50x4	7,69	150	50	4
150x50x5	9,34	150	50	5
160x60x4	8,54	160	60	4
180x60x4	9,18	180	60	4
200x60x4	9,82	200	60	4
200x60x5	12,14	200	60	5
200x80x4	11,10	200	80	4
200x80x5	13,74	200	80	5



Staalsoort = S235





STAAL SERVICE VLAANDEREN NV

AFDELING MECHELSE METALEN

INDUSTRIEPARK NOORD II – ZANDVOORTSTRAAT 17 – B-2800 MECHELEN
TEL: +32 15 20 29 60 – FAX: +32 15 20 29 30 – R.P.R. MECHELEN – BTW BE 0423 730 147
e-mail: sales@staalservicevlaanderen.be

Inspection documents EN 10204:2004

EN 10204 Reference	Designation of the document type			Document content	Document validated by
	English version	German version	French version		
Type 2.1	Declaration of compliance with the order	Werksbescheinigung	Attestation de conformité à la commande	Statement of compliance with the order	The manufacturer
Type 2.2	Test report	Werkszeugnis	Relevé de contrôle	Statement of compliance with the order, with indication of results of non-specific inspection	The manufacturer
Type 3.1	Inspection certificate 3.1	Abnahmeprüfzeugnis 3.1	Certificat de réception 3.1	Statement of compliance with the order, with indication of results of specific inspection	The manufacturer's authorized inspection representative independent of the manufacturing department
Type 3.2	Inspection certificate 3.2	Abnahmeprüfzeugnis 3.2	Certificat de réception 3.2	Statement of compliance with the order, with indication of results of specific inspection	The manufacturer's authorized inspection representative independent of the manufacturing department and either the purchaser's authorized inspection representative or the inspector designated by the official regulations



STAAL SERVICE VLAANDEREN NV

AFDELING MECHELSE METALEN

INDUSTRIEPARK NOORD II – ZANDVOORTSTRAAT 17 – B-2800 MECHELEN
EL: +32 15 20 29 60 – FAX: +32 15 20 29 30 – R.P.R. MECHELEN – BTW BE 0423 730 147
e-mail: sales@staalservicevlaanderen.be

CERTIFICATEN VOLGENS EN 10.204 - 2004

CERTIFICATEN OP GROND VAN NIET-SPECIFIEKE TESTEN WORDEN GELEVERD DOOR PRODUCENT

- 2.1 CERTIFICAAT : VERKLARING ZONDER TESTRESULTATEN
- 2.2 CERTIFICAAT : VERKLARING INCLUSIEF NIET-SPECIFIEKE TESTRESULTATEN

CERTIFICATEN OP GROND VAN SPECIFIEKE TESTEN

- 3.1 CERTIFICAAT : VALIDATIE DOOR ONAFHANKELIJK VAN DE PRODUCTIE ZIJNDE FUNCTIONARIS VAN DE PRODUCENT
- 3.2 CERTIFICAAT : VALIDATIE DOOR EEN GEZAMENLIJK DOOR DE PRODUCENT EN INKOPENDE PARTIJ GEAUTORISEERDE FUNCTIONARIS OF EEN NEUTRALE AMBTELIJKE FUNCTIONARIS

KWALITEIT S235

CHEMISCHE ANALYSE

C = ≤ 0,170

Mn = ≤ 0,900

P = ≤ 0,030

S = ≤ 0,025

Si = ≤ 0,030

AL = ≤ 0,030

R.M. = 360 - 460









STAAL SERVICE VLAANDEREN



AFDELING: MEHELSE METALEN
INDUSTRIEPARK NOORD II
ZANDVOORTSTRAAT 17
B-2800 MECHELEN
TEL. 0032 15 20 29 60
FAX 0032 15 20 29 30
EMAIL: SALES@STAALSERVICEVLAANDEREN.BE
WWW.STAALSERVICEVLAANDEREN.BE

